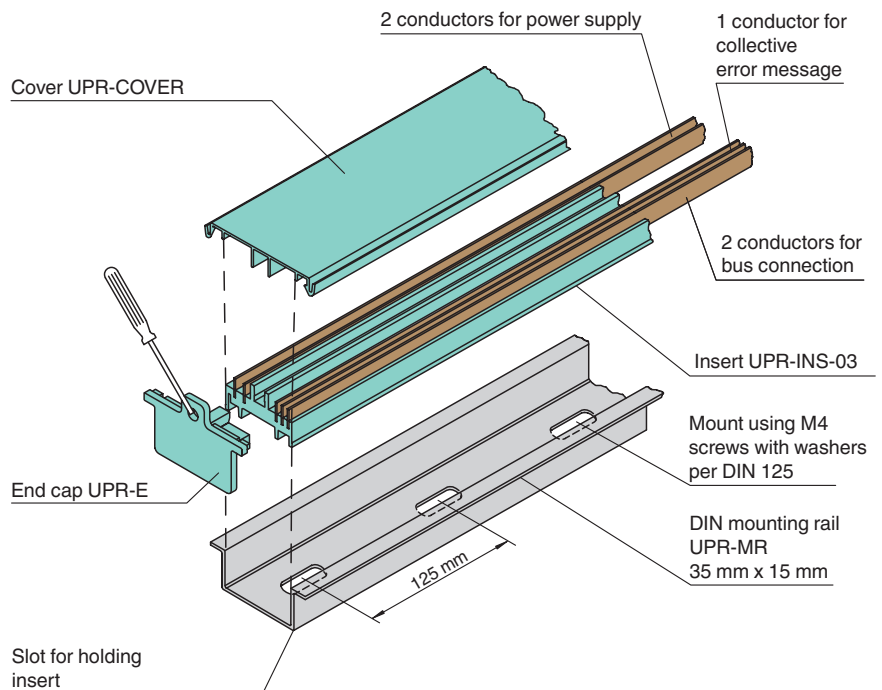


Universal Power Rail with end caps and cover, 5 conductors

Features

- 35 mm DIN mounting rail with 5-conductor insert
- Provides DC supply voltage and the bus connection to all equipped K-System modules
- Standard length 2 m (6 ft), simple to customize to application space
- Eliminates daisy-chains

Dimensions



Technical data

Electrical specifications		
Rated voltage	U_n	24 V DC
Rated current	I_n	4 A
Ambient conditions		
Ambient temperature		-20 ... 60 °C (-4 ... 140 °F)
Mechanical specifications		
Dimensions		35 x 15 x 2000 mm (1.4 x 0.6 x 78.7 in)
Accessories		
Designation		- end cap UPR-E - insulation spacer UPR-I - DIN mounting rail UPR-MR - insert UPR-INS-05 - cover UPR-COVER

Function

The Power Rail consists of a DIN mounting rail UPR-MR and a insert UPR-INS-05. The component has two conductors for power, one conductor for collective error messaging, and two conductors for bus connections.

The component reduces wiring and maintenance costs because it eliminates the need to daisy-chain the wires. It also simplifies expansion – just snap in a new isolator when you're ready to expand a system.

The component comes in 2 m segments but can be cut to any size.

The Power Rail is delivered with two UPR-E end caps and UPR-COVER cover. All components of the Power Rail can be ordered separately.

In conjunction with K-System modules the component can be mounted in Zone 2.



Cover empty, open segments of the Power Rail. Use the supplied cover. Thereby Power Rail will be protected from pollution. The contact with electrically conductive parts on Power Rail will be prevented.

Release date 2015-10-27 16:43 Date of issue 2015-10-27 038005_eng.xml