



KEY FEATURES

- Available with 19° (spot), 25° (narrow), 40° (medium), 125° (wide/frosted), NEMA 6X3 or Forward Kick optics
- Hazardous location rated
- Thermally managed for maximum longevity
- Multiple adjustable mounting options
- Operation and environmental benefits of LED technology



MODEL NUMBER SELECTOR

Example: RSLED-CW-W-GRY-GEN-WAL-VAC

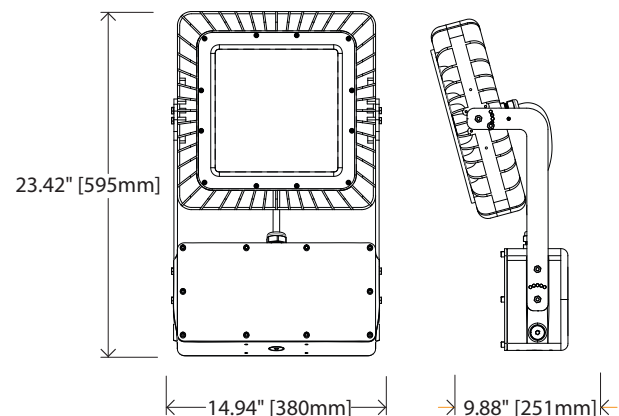
MODEL	COLOUR	OPTIC	FINISH	LOCATION	MOUNT	POWER
RSLED						
	CW - Cool White NW - Neutral White WW - Warm White	S -Spot 19° N -Narrow 25° M -Medium 40° W -Wide 125° WF -Wide Frosted125° FK -Forward Kick 6X3 -Nema Type 6 x 3	GRY -Grey BLK -Black WHT -White CUS -Custom * <i>*Additional costs apply</i>	GEN - General C1D2 - Class 1, Div 2	POL - Pole Mount WAL - Wall Mount HBY - High Bay	VAC - 90-277VAC HDC - 127-300VDC 347 - 347-477VAC

TECHNICAL SPECIFICATIONS / MAXIMUM RATINGS

HOUSING	Die-cast Aluminium and Machined Aluminum
MOUNTING	Mounting Brackets (Other Options Available See Pg2)
VOLTAGE MAXIMUM	VAC: 277VAC HDC: 300VDC 347: 477VAC
INPUT VOLTAGE	VAC: 90-277 VAC HDC: 120-390VDC 347: 347-477VAC
POWER	240W
CURRENT	2.3A@120VAC 1A@277VAC 0.8A@347VAC
CONNECTIONS	3/4" NPT x5
TEMPERATURE RANGE	T4: -40° C to +55° C
TYPICAL CASE TEMPERATURE	~40° C Above Ambient Temperature
CERTIFICATIONS	Class I, Division 2, Groups ABCD; GII Ex nA IIC, Gb Zone 2 Db Class I, Zone 2, IIC, T4 GIII Ex nA IIC, Gb Zone 20 Db Class II, Division 1 & 2, Groups EFG; Class III, T4
INGRESS PROTECTION	IP65
COLOUR TEMP RANGE	CW: 6500K NW: 4300K WW: 3500K
CRI VALUE	CW: 75 NW: 75 WW: 80
TOTAL LUMENS	S: 20556 M: 20395 W: 21301 FK: 19084
LUMEN MAINTENANCE	LM-80 > 100,000 hrs (Based on CREE long term testing)
WEIGHT	16.3 kg 36 lbs

* The ambient temperature during lifetime, lumen and chromaticity determination is 25° C ± 1° C

DIMENSIONS

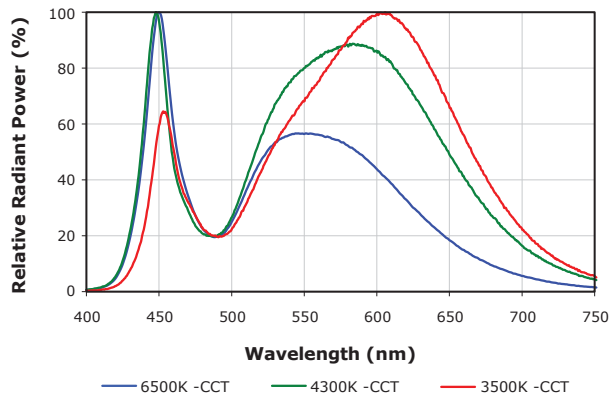


WARRANTY

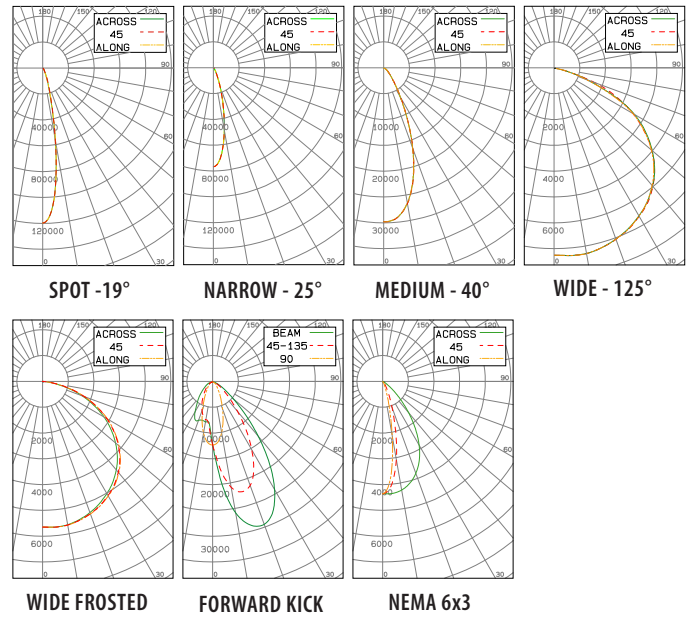
Five (5) year limited warranty to the original purchaser. The warranty covers defects in materials and workmanship under normal use and service.

For additional information see:
<http://www.nemalux.com/company/warranty-policy/>

PHOTOMETRICS



OPTIC OPTIONS



MOUNTING OPTIONS

HIGH BAY



- High/Low Bay mounting:
- Suspended by Chain (Brackets available upon request)
 - Direct Conduit
 - Surface mounted with wall bracket



POLE MOUNT



2-3/8" Standard Tenon

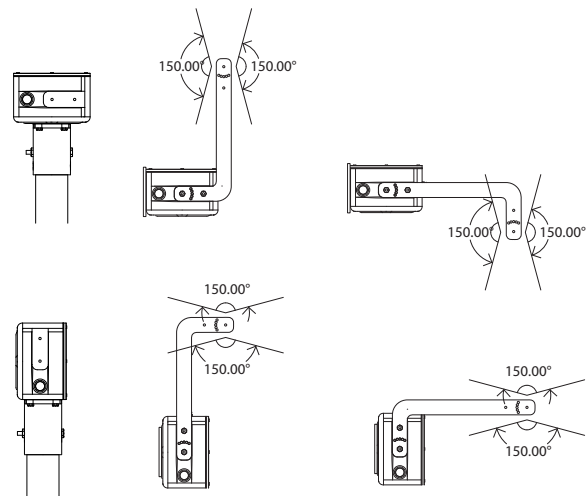
SURFACE MOUNT



ADJUSTABLE BRACKETS

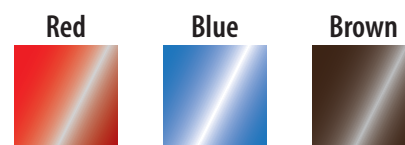
Pole and Surface Mount can mount to the bottom and back of the junction box.

Eleven mounting angles in 15° increments.



CUSTOM FINISHES

Powder Coated Aluminum



Please contact for further options