

Regulator with Filter

Model KZ03

OVERVIEW

The Regulator with Filter provides a constant pressure of clean, dry supply air to pneumatic instruments and control valves. An air-set incorporated with a pressure adjustment wheel can be used for manual driving of a pneumatic cylinder and for manual setting of a pneumatic signal.



SPECIFICATIONS

Model no.	KZ03-1	KZ03-2	KZ03-3	
Primary pressure (kPa)	Secondary pressure +50 or more (970 max.)			
Secondary pressure (kPa)	140 ± 4 (fixed)	12 to 400 (variable)	12 to 700 (variable)	
Performance				
Pressure regulation	Change of secondary pressure (kPa)	140 ± 4 for primary pressure change of 200 to 970	400 ± 4 for primary pressure change of 450 to 970	700 ± 4 for primary pressure change of 800 to 970
Flow characteristics (kPa)	1) KZ03-1 (for prim. press. 300 - 900) 2) KZ03-2 (for prim. press. 500 - 900) 3) KZ03-3 (for prim. press. 800 - 900)			
Air consumption	0.95 l/min(N) or less			
Material	Filter: Sponge, 3 μm (option: 5 μm stainless filter) Case: Aluminum diecast External screws and drain wing bolt: Stainless steel			
Ambient temperature	-30 to 80°C			
Air pressure connections	Rc1/4 or 1/4NPT internal thread			
Drain capacity	22 cm ³			
Weight	0.7 kg			

MODEL SELECTION

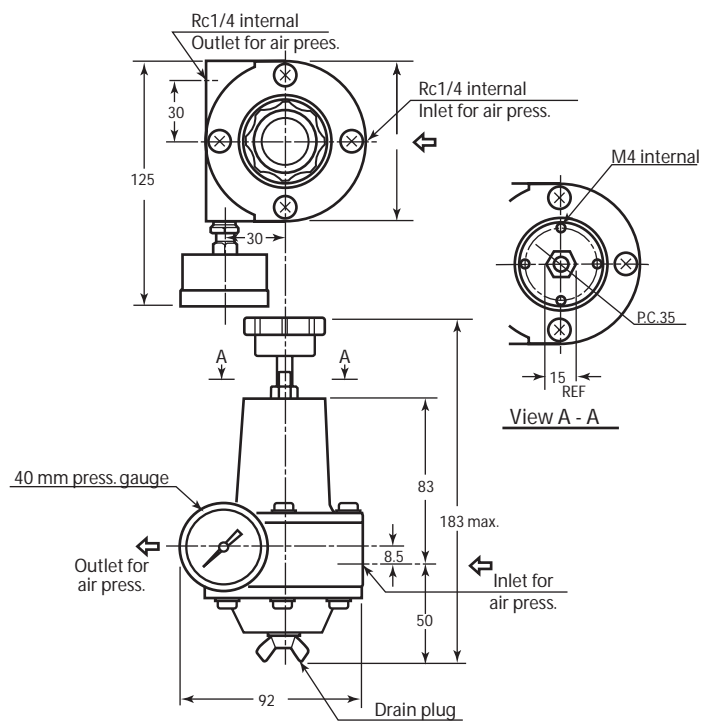
Pressure regulator with filter

Model KZ03 - I II - III IV

Basic model no.		Selections		Optional selections
KZ03				
I	Ps = 140 ± 4 kPa	1		
	Available supply pressure (Ps): Ps ≤ 400 kPa	2		
	Available supply pressure (Ps): 400 < Ps ≤ 700 kPa	3		
II	Rc1/4 internal (Standard)	A		
	1/4NPT female	B		
III	Without pressure gauge			XX
IV	1½ inch (40 mm) with pressure gauge (scale)			
	Primary maximum scale & unit	Secondly unit	Recommended supply pressure	
	2	kgf/cm ²	none	Ps ≤ 1.5 kgf/cm ²
4	1.5 < Ps ≤ 3.0 kgf/cm ²			1B
6	3.0 < Ps ≤ 4.5 kgf/cm ²			1N
10	4.5 < Ps ≤ 7.0 kgf/cm ²			1C
30	psi	none	Ps ≤ 22 psi	1D
60			22 < Ps ≤ 45 psi	1E
100			45 < Ps ≤ 65 psi	1P
150			65 < Ps ≤ 100 psi	1F
2	bar	none	Ps ≤ 1.5 bar	1G
4			1.5 < Ps ≤ 3.0 bar	1H
6			3.0 < Ps ≤ 4.5 bar	1Q
10			4.5 < Ps ≤ 7.0 bar	1J
200	kPa	none	Ps ≤ 150 kPa	1K
400			150 < Ps ≤ 300 kPa	1L
600			300 < Ps ≤ 450 kPa	1R
1,000			450 < Ps ≤ 700 kPa	1M
0.2	MPa	none	Ps ≤ 0.15 MPa	1S
0.4			0.15 < Ps ≤ 0.3 MPa	1T
0.6			0.3 < Ps ≤ 0.45 MPa	1U
1			0.45 < Ps ≤ 0.7 MPa	1V
2	kgf/cm ²	kPa	Ps ≤ 1.5 kgf/cm ²	2A
4			1.5 < Ps ≤ 3.0 kgf/cm ²	2B
6			3.0 < Ps ≤ 4.5 kgf/cm ²	2N
10			4.5 < Ps ≤ 7.0 kgf/cm ²	2C
2	kgf/cm ²	MPa	Ps ≤ 1.5 kgf/cm ²	3A
4			1.5 < Ps ≤ 3.0 kgf/cm ²	3B
6			3.0 < Ps ≤ 4.5 kgf/cm ²	3N
10			4.5 < Ps ≤ 7.0 kgf/cm ²	3C
200	kPa	kgf/cm ²	Ps ≤ 150 kPa	4K
400			150 < Ps ≤ 300 kPa	4L
600			300 < Ps ≤ 450 kPa	4R
1000			450 < Ps ≤ 700 kPa	4M
0.2	MPa	kgf/cm ²	Ps ≤ 0.15 MPa	5S
0.4			0.15 < Ps ≤ 0.3 MPa	5T
0.6			0.3 < Ps ≤ 0.45 MPa	5U
1			0.45 < Ps ≤ 0.7 MPa	5V

DIMENSIONS

[Unit: mm]



Note) The illustration is for regulator with filter incorporated with pressure adjustment wheel and 40 mm dia. pressure gauge.

azbil

Yamatake Corporation
Advanced Automation Company

1-12-2 Kawana, Fujisawa
Kanagawa 251-8522 Japan

URL:<http://www.azbil.com>