



### KEY FEATURES

- Available with 30° (narrow) or 100° (wide) symmetric optics
- Designed for Hazardous locations
- Thermally managed for maximum longevity
- Adjustable mounting bracket
- Lifespan up to 100,000 hours\*
- Available in multiple lengths and a variety of LED colours



### MODEL NUMBER SELECTOR Example: GSLEDIP24-CW-N-BLK-C1D2-12VDC

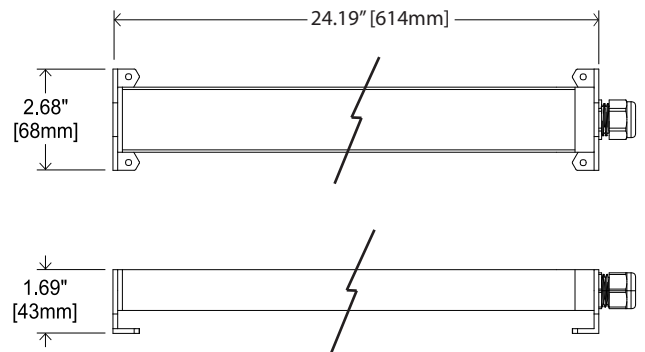
MODEL	COLOUR	OPTIC	FINISH	LOCATION	POWER
GSLEDIP24				C1D2	
	<b>CW</b> - Cool White <b>NW</b> - Neutral White <b>WW</b> - Warm White <b>CUS</b> - Custom <i>Contact for custom colour</i>	<b>N</b> -Narrow <b>W</b> -Wide <b>NF</b> -Narrow Frosted <b>WF</b> -Wide Frosted	<b>BLK</b> - Black <b>WHT</b> - White <b>CUS</b> -Custom <i>Contact for custom finish</i>	<b>C1D2</b> - Class 1, Div 2 <i>GEN Available for General Locations See GSLEDIP12-GEN</i>	<b>12VDC</b> -12 Volts DC <b>24VDC</b> -24 Volts DC

### TECHNICAL SPECIFICATIONS / MAXIMUM RATINGS

HOUSING	Powder Coated Extruded Aluminum
MOUNTING	Mounting Brackets (Other Options Available See Pg2)
VOLTAGE MAXIMUM	28 VDC
TYPICAL INPUT VOLTAGE	12VDC: 11-16 VDC   24VDC: 22-28 VDC
POWER	16.8 W
CURRENT	1.3 A @12 VDC   0.66 A @ 24 VDC
CONNECTIONS	6Ft Flying Lead (Custom Lengths Available)
TEMPERATURE RANGE	-40° C to +85° C
TYPICAL CASE TEMPERATURE	~15° C Above Ambient Temperature
CERTIFICATIONS	Certified To CSA 22.2 No. 250.0 , Conforms To UL 1598 Standard, Class 1 Division 2 Groups ABCD, T3
INGRESS PROTECTION	IP54
COLOUR TEMP RANGE	CW: 6500K   NW: 4300K   WW: 3500K
CRI VALUE	CW: 75   NW: 75   WW: 80
TOTAL LUMENS	CW-W: 908   CW-N: 1118
LUMEN MAINTENANCE	LM-80 > 60,500 hrs (Based on CREE long term testing)
WEIGHT	1.4lb   0.6 kg

\* The ambient temperature during lifetime, lumen and chromaticity determination is 25°C ± 1°C

### DIMENSIONS



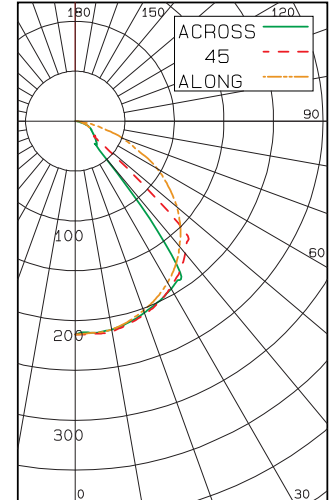
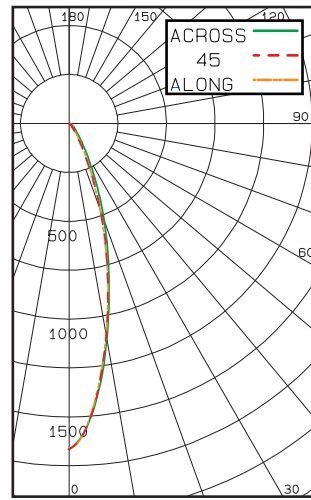
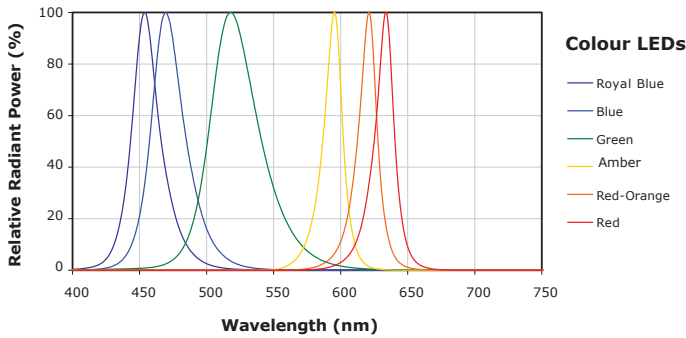
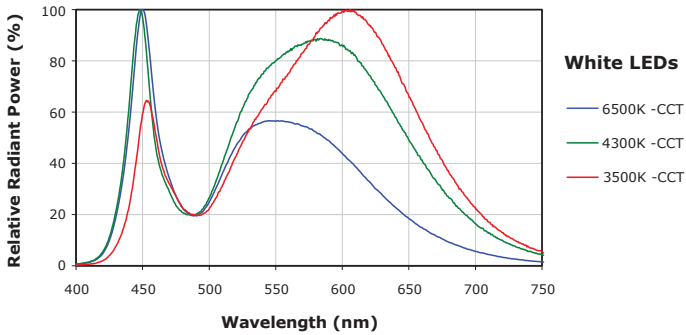
Alternate Lengths: (See respective Model Specification Sheets for details)

GSLEDIP12 12.69" [322mm]

GSLEDIP36 35.19" [894mm]

GSLEDIP48 46.19" [1173mm]

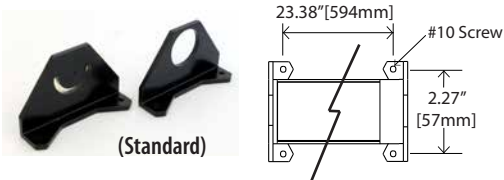
PHOTOMETRICS



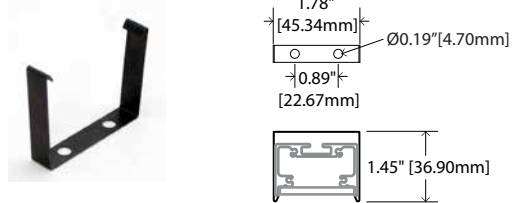
(Based on GSLEDIP12)

MOUNTING OPTIONS

MOUNTING BRACKET



CLIP MOUNT (Special Order)



SURFACE MOUNT (Special Order)



OPTIC OPTIONS

NARROW BEAM



WIDE BEAM



FROSTED LENS



(Shown in White Option)

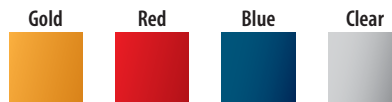
CUSTOM OPTIONS

WIRING

Other wire lengths available in 1 foot increments.

CUSTOM FINISHES

Anodized Aluminum



Please contact for further options

Powder Coated Aluminum



Please contact for further options